

## DRAWING PROJECT 9

This project introduces isometric drawing, using a “skewed” grid, that is, a grid with one of its axes rotated through 30°.

- Reset the system (see figure 60), then select Snap Grid.
- Set the grid spacing to 0.25", if necessary, then change the 0° angle display (just below the two grid icons, arrowed in Figure 60) to 30°.
- Activate the grid (right-hand icon), select line weight 2, then draw the outline as in Figure .

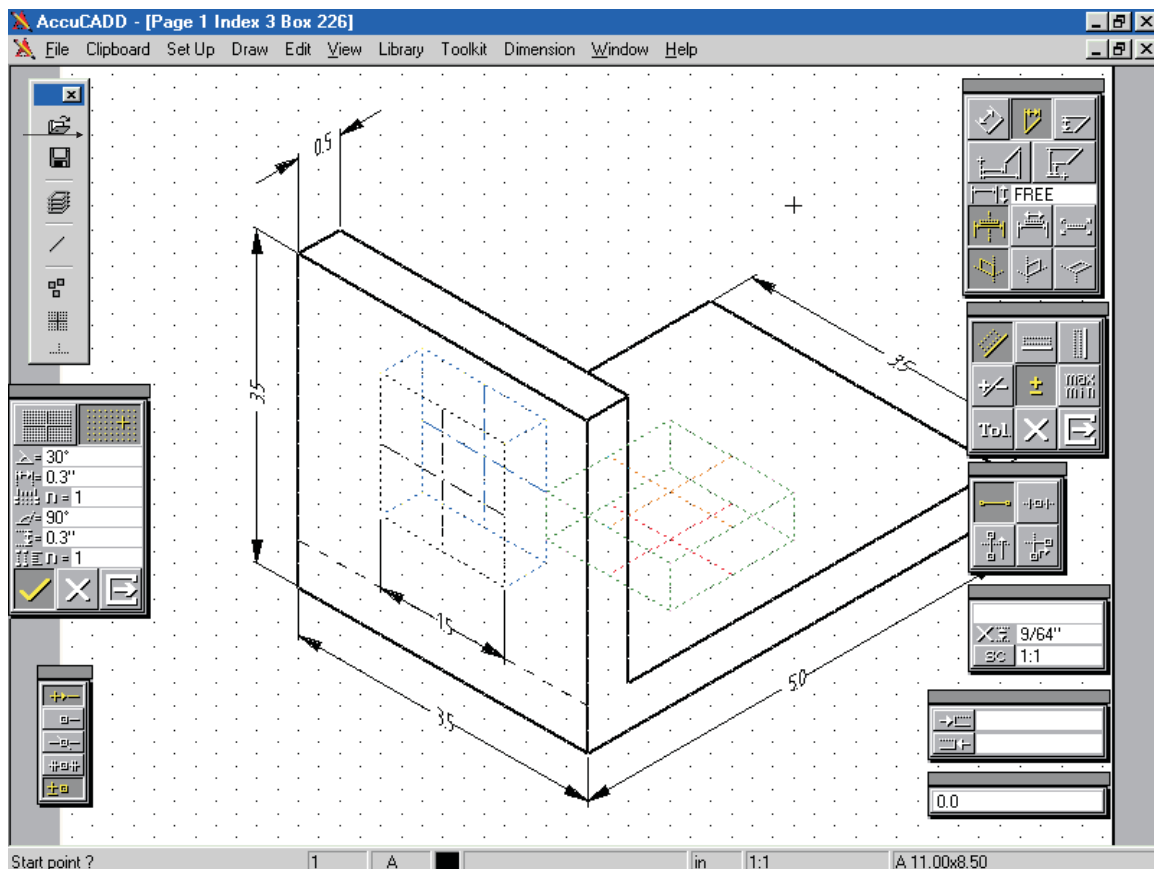


Figure 60: Isometric grid

- In line weight 1, and a dotted line-type of your choice, add the four parallelograms, with center lines, to define the major and minor axes of the

# Accucadd Quickstart

ellipses you are about to draw. (With practice you will find you can do without these constructions most of the time.)

□ Re-select line weight 2 and the continuous line style.

□ Zoom if you wish, as Figure 61. Select Toolkit: Line Direction, touch point A, followed by point B (this procedure sets the start position and direction of the tangent arc), then select tangent arc from the elements palette.

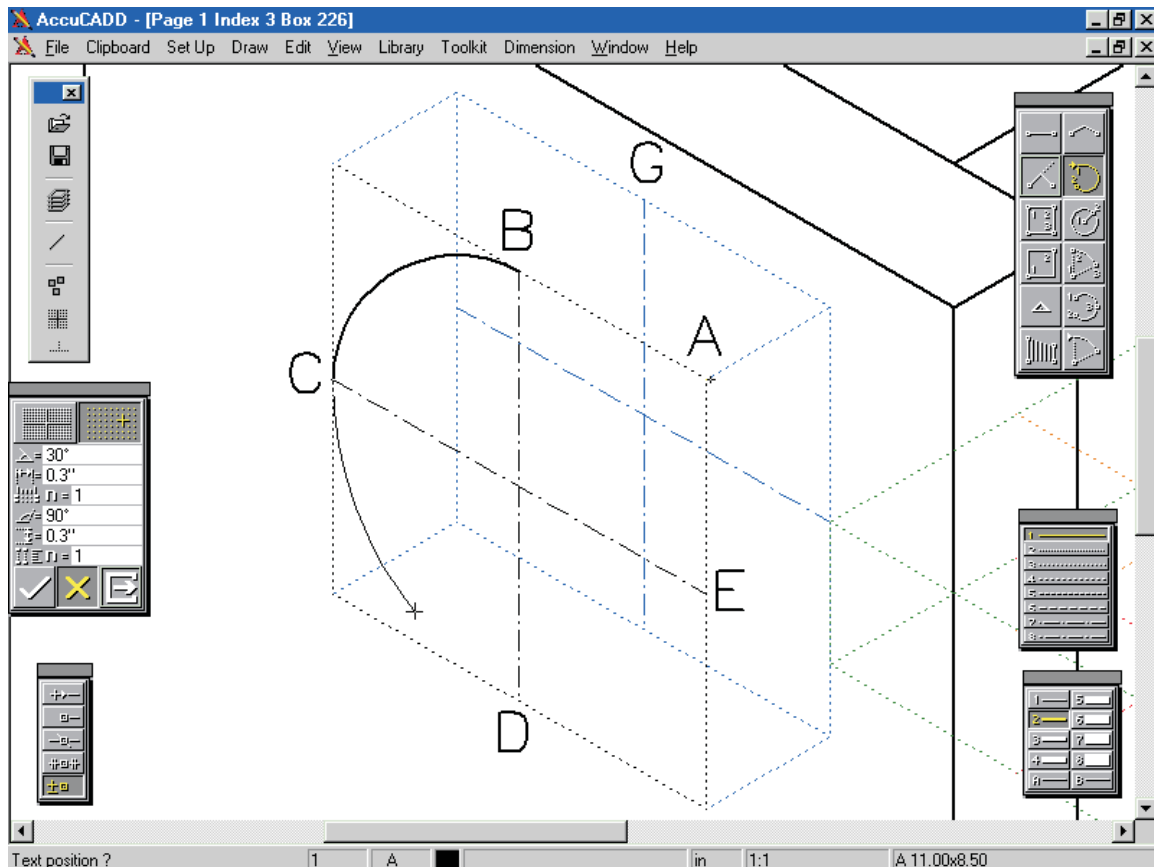


Figure 61: Drawing the four-arc ellipse

□ Snap the end of the arc to C, then to D, then to E, finally completing the ellipse at B.

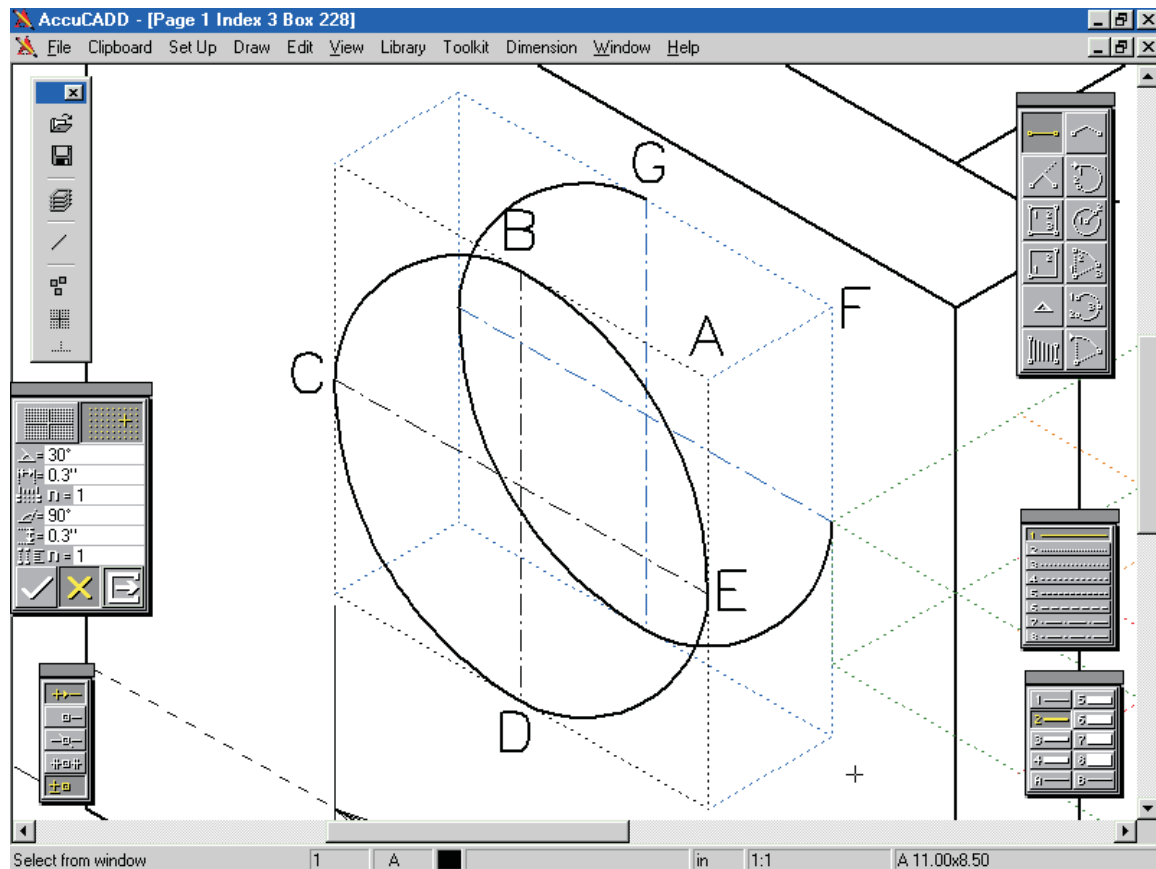


Figure 62: Part ellipse, before trimming

- Still with the arc selected, again select Line Direction from the Toolkit menu. Touch F, followed by G, then draw the second ellipse as Figure 62. (You need only three arcs this time.)
- Draw ellipses on the horizontal surface in the same way.
- Erase the construction lines, then trim the ellipses using Erase - part item.

# Accucadd Quickstart

---

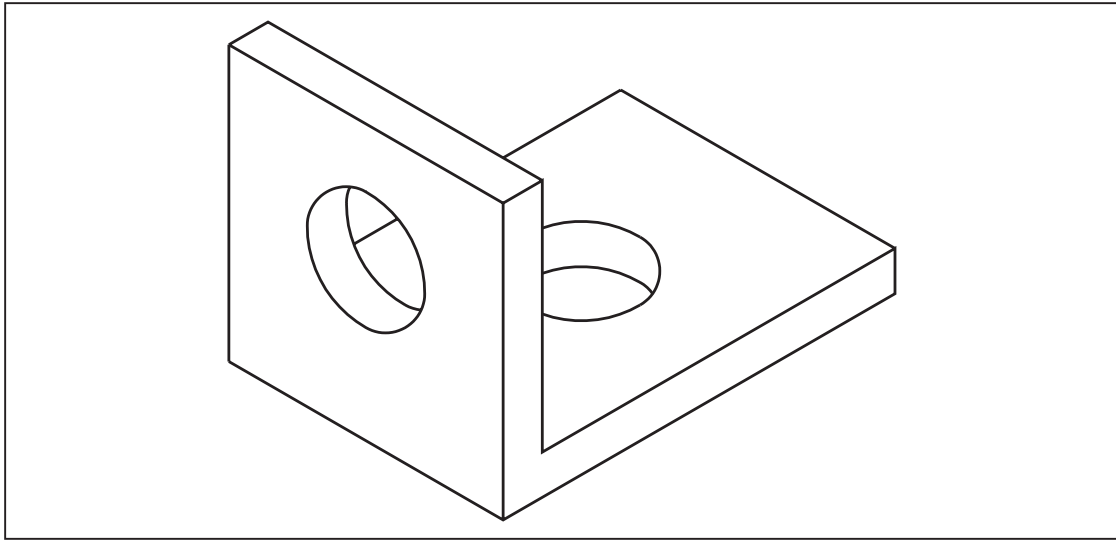


Figure 63: Completed isometric

□ File the completed drawing, as Figure 63.

The dimensions in figure 60 are for your information only: drawing them is not part of this exercise. Note, however, that Accucadd provides automatic isometric dimensioning—the dimension text is “twisted” into the isometric plane, and the dimensioning lines are also in the isometric plane.

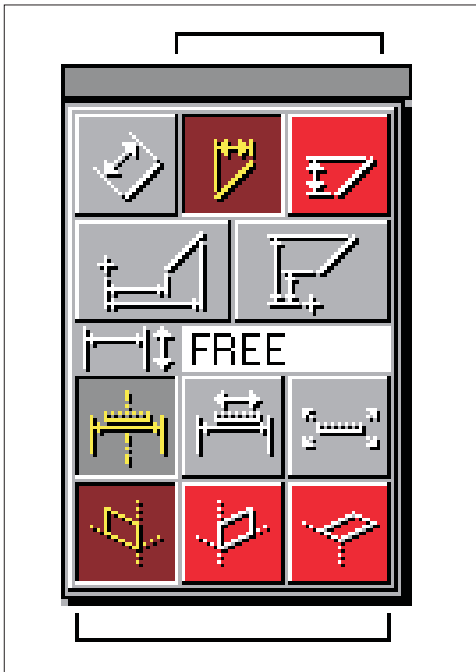


Figure 64: Isometric dimensioning controls

If you wish to experiment with isometric dimensions, you’ll need to know which icons control the isometric plane selection. These are shown in figure 64. Select from the upper two for “horizontal” or “vertical” direction. Select which of the three isometric planes by using one of the lower three icons. There is a total of six combinations.

For full information see the Accucadd Reference Manual, Dimensioning.